

技术规范 Technical Parameter

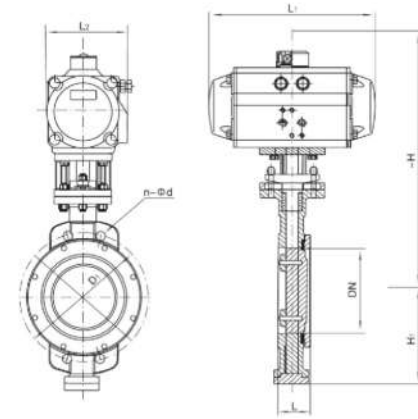
设计依据 Design Basis		GB	ANSI
设计标准 Design Standard		GB/12238	API609
结构长度 Face to Face Dimension	对夹 连接 Water Connecting	GB/12221	ANSI B16.10
连接法兰尺寸 Connecting Flange Size		GB/9113 JB/T79	ANSI B16.5(2~24") ANSI B16.47(26~32")
试验和检验 Test & Inspection		JB/T9092	API 598

※注：系列蝶阀结构长度及连接法兰尺寸可根据用户要求设计制造。  
Note: The structural length and connecting flange size of butterfly valve series can be designed and manufactured as per users' requirements.

主要零件材质表 Main Parts Materials

序号 No.	零件名称 Name	材质 Material		
		C	P	R
1	内六角螺钉 Inner Hexagon Screw	1Cr18Ni9Ti	1Cr18Ni9Ti	1Cr1812Mo2Ti
2	阀盖 Bonnet	WCB	1Cr18Ni9Ti	ZG1Cr18Ni12Mo2Ti
3	垫片 Gasket	1Cr18Ni9Ti	1Cr18Ni9Ti	1Cr1812Mo2Ti
4	阀座 Seat	不锈钢+柔性石墨 PTFE Stainless Steel+Graphite PTFE		
5	垫片 Gasket	1Cr18Ni9Ti	1Cr18Ni9Ti	1Cr1812Mo2Ti
6	蝶板 Butterfly Plate	WCB	ZG1Cr18Ni9Ti	ZG1Cr18Ni12Mo2Ti
7	圆柱销 Straight Pin	45	1Cr18Ni9Ti	1Cr1812Mo2Ti
8	下盖 Bottom Cover	WCB	ZG1Cr18Ni9Ti	ZG1Cr18Ni12Mo2Ti
9	垫片 Gasket	不锈钢+柔性石墨 PTFE Stainless Steel+Graphite PTFE		
10	衬套 Bushing	PTFE复合轴承 Composite bearings		
11	阀体 Body	WCB	ZG1Cr18Ni9Ti	ZG1Cr18Ni12Mo2Ti
12	阀杆 Stem	1Cr13	1Cr18Ni9Ti	ZG1Cr18Ni9Ti
13	支架 Yoke	WCB	WCB	WCB
14	键 Key	45	45	45
15	衬套 Bushing	PTFE复合轴承 Composite Bearings		
16	填料 Packing	柔性石墨 PTFE Graphite PTFE		
17	压盖 Gland	WCB	ZG1Cr18Ni9Ti	ZG1Cr18Ni12Mo2Ti
18	气动执行器 Pneumatic Actuator	AT Series AW Series		
19	位置指示器 Location Indicator	塑料 Plastic		

※注：系列蝶阀主要零部件及密封圈的材质可根据实际工况条件或用户特殊要求设计选用。  
Note: The Materials for main parts and ball seats of the butterfly valve series can be designed and optioned as per the actual working conditions and users' special requirements.



主要外形及连接尺寸 HK59DS-2 PN16(1.6MPa)  
Main Outline and Connecting Size

公称通径 DN	外形尺寸 Outline Size					连接尺寸 Connecting Size		执行器型号 Actuator Model
	L	L1	L2	~H	H1	D1	n-φd	
50	43	159/211	83/95	277/205	65	125	4-φ18	AT063D/AT075S
65	46	211/248	95/107	287/315	75	145	4-φ18	AT063D/AT088S
80	46	248/269	107/123	365/375	85	160	8-φ18	AT075D/AT100S
100	52	269/315	123/141	420/436	130	180	8-φ18	AT088D/AT100S
125	56	315/345	141/152	436/462	175	210	8-φ18	AT100D/AT125S
150	56	345/409	152/172	466/543	190	240	8-φ22	AT125D/AT145S
200	60	409/438	172/187	593/665	215	295	12-φ22	AT145D/AT160S
250	68	438/559	187/215	682/752	265	355	12-φ26	AT160D/AT190S
300	78	550/600	215/240	725/772	305	410	12-φ26	AT190D/AT210S
350	78	600/633	240/262	832/880	340	470	16-φ26	AT190D/AT240S
400	102	633/730	262/330	862/968	360	525	16-φ30	AT210D/AT240S
450	114	633	262	945/1005	400	585	20-φ30	AT240D/AT270S
500	127	730	300	1058/1060	430	650	20-φ33	AT270D/AW25S
600	154	1320/1970	440/480	1108/1195	190	770	20-φ36	AW25/AW28S
700	165	1430/2700	480/560	1170/1255	555	840	24-φ36	AW28/AW35S
800	190	1430/2700	480/560	1325/1365	620	950	24-φ39	AW28/AW35S

\*注：  
系列蝶阀结构长度及连接法兰尺寸可根据JB/T79标准或要求设计制造。  
根据不同的扭矩、介质，适配的执行器型号及尺寸可能有所不同。  
以上执行器配置数据均采集自软密封(F, N, P)阀门，硬密封阀门的配置及数据请咨询本公司。

Note:  
JB/T79 standard accepted.  
The actuator model vary with different output torque and medium.  
Above data are all on basis of soft-sealed valves(F, N, P), contact COVNA for hard-sealed valves data.