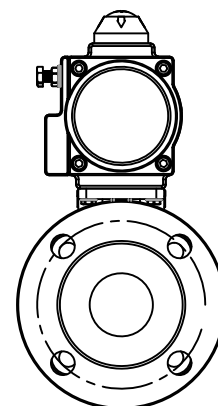


Introduction

Quick open and close, less flowing resistance. PTFE sealing, perfect sealing, high temperature, corrosion resistance, acid and alkali resistance. The main features of the valve itself is compact, easy operation and maintenance for water, acids and natural gas general working media.

Pneumatic Actuator

Double acting	Air to open, air to close, air supply failure to keep the current position
Single Acting N/C	Air to open, interrupt air to close, air failure to close
Single Acting N/O	Air to close, interrupt air to open, air failure to open
Optional accessory	Reversing solenoid valve, limit switch box, air filter reducing valve, positioner, handle manual, lock up valve



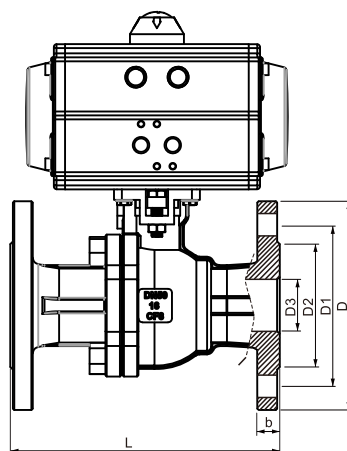
Technical Parameters

Body		Valve components	
Nominal Size	DN15~DN400	Seat Material	PTFE: -30℃~180℃
Body Material	Stainless Steel, Carbon Steel, Cast Iron	Core Material	Stainless Steel
Connection Type	Flange (GB/ANSI/DIN/JIS)	Stem Material	Stainless Steel
Pressure Rating	1.6, 2.5, 4.0, 6.4MPa	Applicable Medium	Water, Liquids, Gas, Oil, Powder, Steam, Acid-base Corrosive Medium.
Structure type	Floating ball core		

Qutine Size drawing (JIS-10K)

UNIT: mm

MEDLE	DN15	DN20	DN25	DN32	DN40	DN50	DN65	DN80	DN100	DN125	DN150	DN200
G	1/2"	3/4"	1"	1-1/4"	1-1/2"	2"	2-1/2"	3"	4"	5"	6"	8"
D3	15	20	25	30	40	50	65	80	100	125	150	200
D2	52	58	70	80	85	100	120	130	155	185	215	265
D1	70	75	90	100	105	120	140	150	175	210	240	290
D	95	100	125	135	140	155	175	185	210	250	280	330
L	108	117	127	140	165	178	190	203	229	356	394	457
b	12	14	14	16	16	16	18	18	18	20	22	22
n-φd	4-φ15	4-φ15	4-φ19	4-φ19	4-φ19	4-φ19	4-φ19	8φ19	8φ19	8φ23	8φ23	12-φ25
Actuator	AT52	AT52	AT52	AT63	AT75	AT83	AT92	AT105	AT125	AT140	AT160	AT210



Qutine Size drawing (JIS-20K)

UNIT: mm

MEDLE	DN15	DN20	DN25	DN32	DN40	DN50	DN65	DN80	DN100	DN125	DN150	DN200
G	1/2"	3/4"	1"	1-1/4"	1-1/2"	2"	2-1/2"	3"	4"	5"	6"	8"
D3	15	20	25	30	40	50	65	80	100	125	150	200
D2	52	58	70	80	85	100	120	135	160	195	230	275
D1	70	75	90	100	105	120	140	160	185	225	260	305
D	95	100	125	135	140	155	175	200	225	270	305	350
L	140	152	165	178	190	216	241	282	305	381	403	502
b	14	16	16	18	18	18	20	22	24	26	28	30
n-φd	4-φ15	4-φ15	4-φ19	4-φ19	4-φ19	8-φ19	8-φ19	8-φ23	8-φ23	8-φ25	12-φ25	12-φ25
Actuator	AT52	AT52	AT52	AT63	AT75	AT83	AT92	AT105	AT125	AT140	AT160	AT210

