



技术规范 Technical Parameter

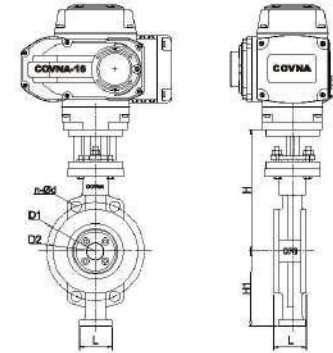
设计依据 Design Basis		GB	ANSI
设计标准 Design Standard		GB/12238	API609
结构长度 Face to Face Dimension	对夹连接 Water Connecting	GB/12221	ANSI B16.10
连接法兰尺寸 Connecting Flange Size		GB/9113 JB/179	ANSI B16.5(2~24") ANSI B16.47(26~32")
试验和检验 Test & Inspection		JB/T9092	API 598

※注：系列蝶阀结构长度及连接法兰尺寸可根据用户要求设计制造。
Note: The structural length and connecting flange size of butterfly valve series can be designed and manufactured as per users' requirements.

主要零件材质表 Main Parts Materials

序号 No.	零件名称 Name	材质 Material		
		C	P	R
1	内六角螺钉 Inner Hexagon Screw	1Cr18Ni9Ti	1Cr18Ni9Ti	1Cr1812Mo2Ti
2	阀盖 Bonnet	WCB	1Cr18Ni9Ti	ZG1Cr18Ni12Mo2Ti
3	垫片 Gasket	1Cr18Ni9Ti	1Cr18Ni9Ti	1Cr1812Mo2Ti
4	阀座 Seat	不锈钢+柔性石墨 PTFE Stainless Steel+Graphite PTFE		
5	垫片 Gasket	1Cr18Ni9Ti	1Cr18Ni9Ti	1Cr1812Mo2Ti
6	蝶板 Butterfly Plate	WCB	ZG1Cr18Ni9Ti	ZG1Cr18Ni12Mo2Ti
7	圆柱销 Straight Pin	45	1Cr18Ni9Ti	1Cr1812Mo2Ti
8	下盖 Bottom Cover	WCB	ZG1Cr18Ni9Ti	ZG1Cr18Ni12Mo2Ti
9	垫片 Gasket	不锈钢+柔性石墨 PTFE Stainless Steel+Graphite PTFE		
10	衬套 Bushing	PTFE复合轴承 Composite bearings		
11	阀体 Body	WCB	ZG1Cr18Ni9Ti	ZG1Cr18Ni12Mo2Ti
12	阀杆 Stem	1Cr13	1Cr18Ni9Ti	ZG1Cr18Ni9Ti
13	支架 Yoke	WCB	WCB	WCB
14	键 Key	45	45	45
15	衬套 Bushing	PTFE复合轴承 Composite Bearings		
16	填料 Packing	柔性石墨 PTFE Graphite PTFE		
17	压盖 Gland	WCB	ZG1Cr18Ni9Ti	ZG1Cr18Ni12Mo2Ti
18	气动执行器 Pneumatic Actuator	AT Series AW Series		
19	位置指示器 Location Indicator	塑料 Plastic		

※注：系列蝶阀主要零件及密封圈的材质可根据实际工况条件或用户特殊要求设计选用。
Note: The Materials for main parts and ball seats of the butterfly valve series can be designed and optioned as per the actual working conditions and users' special requirements.



主要外形及连接尺寸 GB-PN16(1.6MPa)
Main Outline and Connecting Size

MEDLE	DN80	DN100	DN125	DN150	DN200	DN250	DN300	DN350	DN400	DN450	DN500
Inch	3"	4"	5"	6"	8"	10"	12"	14"	16"	18"	20"
D	83	104.2	123.3	157	202.5	250.5	301.6	333.3	389.6	449.5	491.6
D1	160	180	210	240	295	355	410	410	525	585	620
D2	132	156	184	211	266	319	370	429	480	548	582
L	49	56	64	70	71	76	83	83	102	114	127
H	260	298	315	325	380	435	475	475	580	620	660
H1	114	128	148	170	188	235	265	265	335	380	410
n-φd	4-φ18	8-φ18	8-φ18	8-φ22	12-φ23	12-φ26	12-φ26	12-φ26	16-φ30	20-φ30	20-φ33

主要外形及连接尺寸 ANSI-Class 150
Main Outline and Connecting Size

MEDLE	DN80	DN100	DN125	DN150	DN200	DN250	DN300	DN350	DN400	DN450	DN500
Inch	3"	4"	5"	6"	8"	10"	12"	14"	16"	18"	20"
D	83	104.2	123.3	157	202.5	250.5	301.6	333.3	389.6	449.5	491.6
D1	152.4	190.5	215.9	241.3	298.5	362	431.8	476.3	539.8	577.9	635
D2	132	156	184	211	266	319	370	429	480	548	582
L	49	56	64	70	71	76	83	83	102	114	127
H	260	298	315	325	380	435	475	475	580	620	660
H1	114	128	148	170	188	235	265	265	335	380	410
n-φd	4-φ18	8-φ18	8-φ18	8-φ22	12-φ23	12-φ26	12-φ26	12-φ26	16-φ30	20-φ30	20-φ33

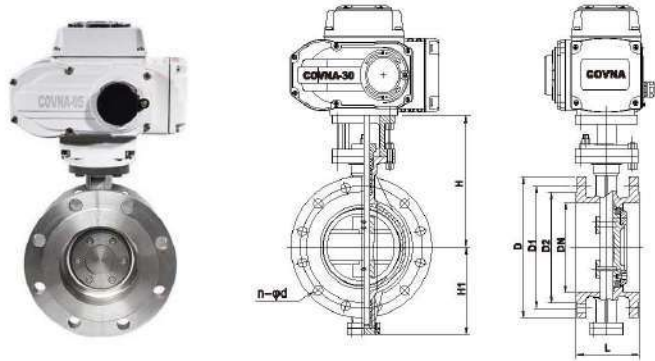
※注：系列蝶阀结构长度及连接法兰尺寸可根据JB/T79标准或客户要求设计制造。
根据不同的扭矩、介质，适配的执行器型号及尺寸可能有所不同。
以上执行器配置数据均采集自软密封(F, N, P)阀门，硬密封阀门的配置及数据请咨询本公司。

Note: JB/T79 standard accepted.
The actuator model vary with different output torque and medium.
Above data are all on basis of soft-sealed valves(F, N, P), contact COVNA for hard-sealed valves data.

电动硬密封法兰蝶阀

Electric hard seal flange butterfly valve

科威納 COVNA®



主要外形及连接尺寸 HK59DS
Main Outline and Connecting Size

DN	Inch	L	1.6 MPa				2.5 MPa				150LB				300LB				High	
			D	D1	D2	Z-ød	D	D1	D2	Z-ød	D	D1	D2	Z-ød	D	D1	D2	Z-ød	H	H1
50	2"	108	165	125	102	4-ø18	165	125	102	4-ø18	150	120.7	92	4-ø19	165	127	92	8-ø19	130	96
65	2-1/2"	112	185	145	122	4/8-ø18	185	145	122	8-ø18	180	137.7	105	4-ø19	190	149.2	105	8-ø22	145	97
80	3"	114	200	160	138	8-ø18	200	160	138	8-ø18	190	152.4	127	4-ø19	210	168.3	127	8-ø22	167	108
100	4"	127	220	180	158	8-ø18	235	190	162	8-ø22	230	190.5	157	8-ø19	255	200	157	8-ø22	195	128
125	5"	140	250	210	188	8-ø18	270	220	188	8-ø26	255	215.9	186	8-ø22	280	235	186	8-ø22	240	145
150	6"	140	285	240	212	8-ø22	300	250	218	8-ø26	280	241.3	216	8-ø22	320	269.9	216	12-ø22	260	168
200	8"	152	340	295	268	12-ø22	360	310	278	12-ø26	345	298.5	270	8-ø22	380	330.2	270	12-ø26	290	190
250	10"	165	405	355	320	12-ø26	425	370	335	12-ø30	405	362	324	12-ø26	445	387.4	324	16-ø29	310	235
300	12"	178	460	410	378	16-ø26	485	430	305	16-ø30	485	431.8	381	12-ø26	520	450.8	381	16-ø32	380	266
350	14"	190	520	470	438	16-ø26	555	490	450	16-ø33	535	476.3	413	12-ø29	585	514.4	413	20-ø32	435	300
400	16"	216	580	525	490	16-ø30	620	550	505	16-ø36	595	539.8	470	16-ø29	650	571.5	470	20-ø35	460	330
450	18"	222	640	585	550	20-ø30	670	600	555	20-ø36	635	577.9	533	16-ø32	710	628.6	533	24-ø35	485	355
500	20"	229	715	650	610	20-ø33	730	660	615	20-ø36	700	635	584	20-ø32	775	685.8	584	24-ø35	520	385
600	24"	267	840	770	725	20-ø36	845	770	720	20-ø39	815	749.3	692	20-ø35	915	812.8	692	24-ø42	610	455
700	28"	292	910	840	795	24-ø36	960	875	820	24-ø42	925	863.6	800	28-ø35	1035	939.8	800	28-ø45	675	505

*注:
系列球阀结构长度及连接法兰尺寸可根据JB/T79标准或要求设计制造。
根据不同扭矩、介质, 适配的执行器型号及尺寸可能有所不同。
以上执行器配置数据均系来自软密封(F, N, P)阀门, 硬密封阀门的配置及数据请咨询本公司。

Note:
JB/T79 standard accepted.
The actuator model vary with different output torque and medium.
Above data are all on basis of soft-sealed valves(F, N, P), contact COVNA for hard-sealed valves data.

科威納 COVNA®

防爆电动阀
Explosion-proof Electric Valve



防爆PVC球阀
Explosion-Proof Electric PVC Ball Valve



防爆三片式球阀
2 Way Explosion-Proof Electric Ball Valve



防爆三通螺纹球阀
3 Way Explosion-Proof Electric Ball Valve



防爆二通法兰球阀
Explosion-Proof Electric
2 Way Flange Ball Valve



防爆三通法兰球阀
Explosion-Proof Electric
3 Way Flange Ball Valve



防爆V型法兰球阀
Explosion-Proof Electric
V Type Flange Ball Valve



防爆对夹蝶阀
Explosion-Proof Electric
butterfly valve



防爆法兰蝶阀
Explosion-Proof Electric
flange butterfly valve



防爆硬密封蝶阀
Explosion-Proof Electric
hard seal flange butterfly valve